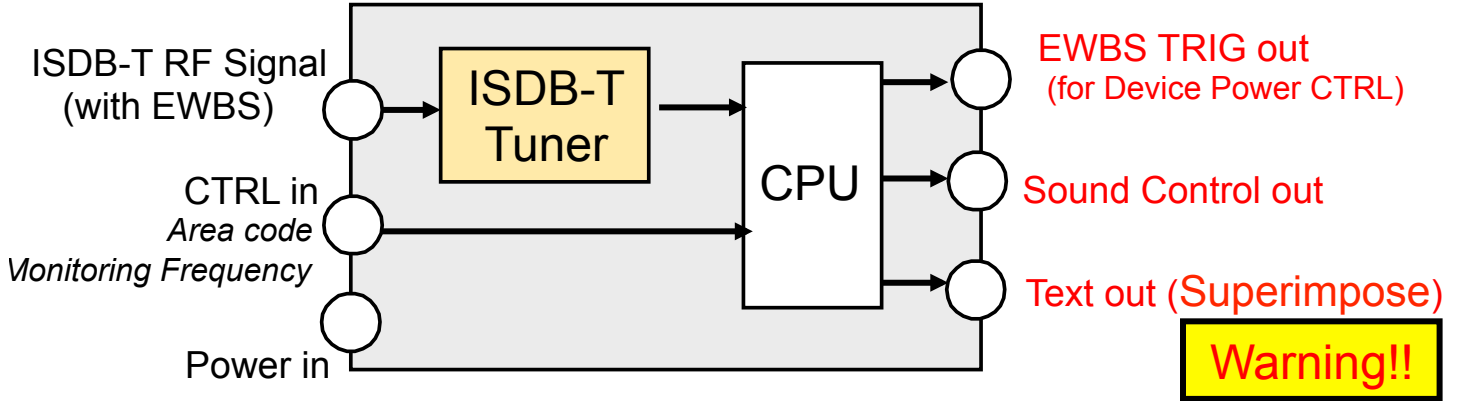
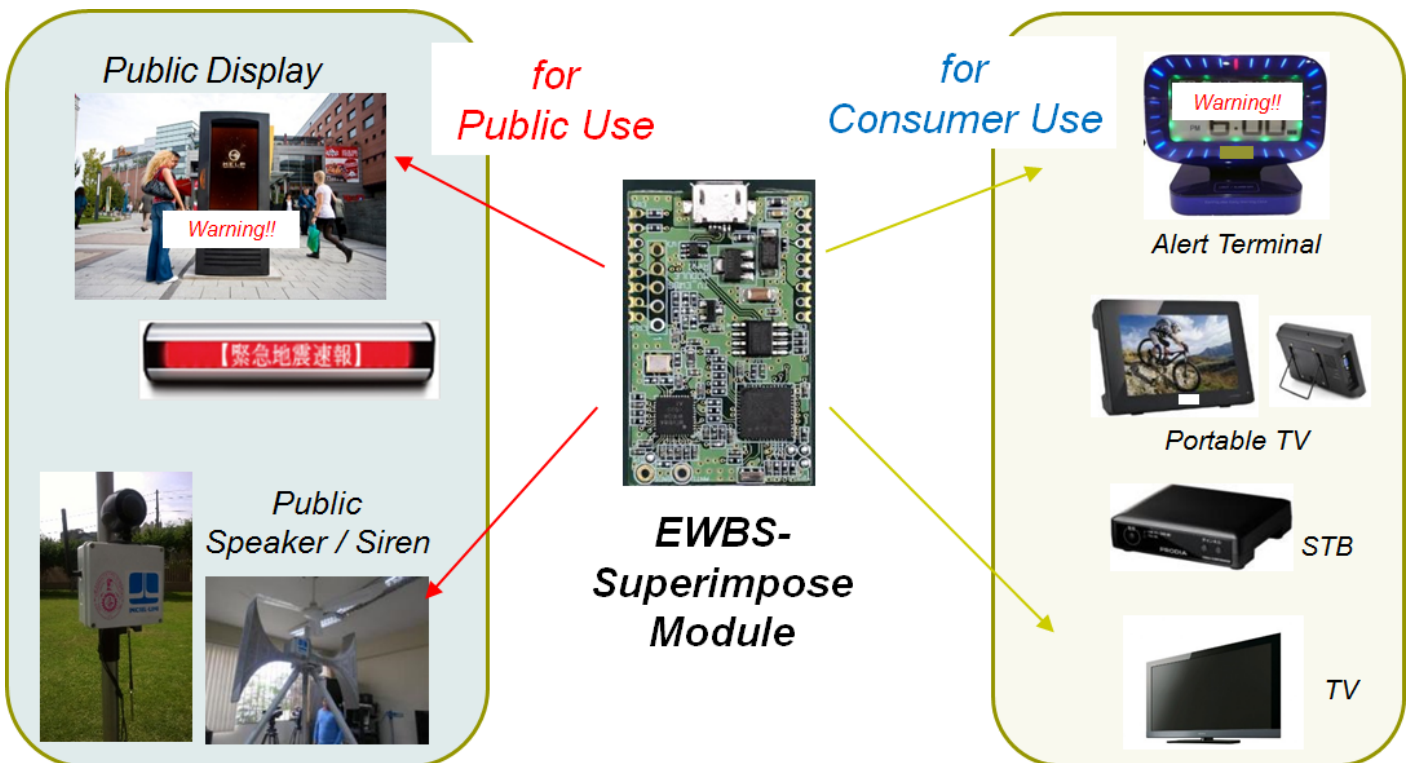


# “EWBS-Superimpose Module”

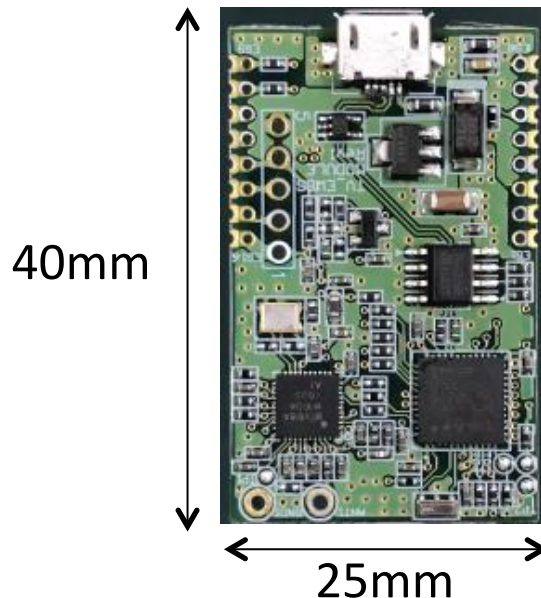


- Exclusive tuner for 24-hour monitoring  
⇒ *never to miss EWBS alert*
- Robust “One-seg” reception
- Small size , Low consumption

*Wide-ranging application to various type of receivers!!*



## “EWBS-Superimpose Module”



- Low consumption  
190mW (in stand-by), 248mW (in Working)
- 6MHz/8MHz both system compatible
- Frequency Range UHF 470MHz~806MHz
- Robust reception with One-seg
- “Superimpose” function  
maximum 120 byte text message ,  
Sound control
- Setting of “Monitoring frequency” and “Area Code”
- Monitoring function of RF reception quality
- Firmware update through USB interface

**Contact** : Association of Radio Industries and Businesses (ARIB) /  
Digital Broadcasting Experts Group (DiBEG)

- E-mail: [isdbt-jim@arib.or.jp](mailto:isdbt-jim@arib.or.jp)
- URL: <http://www.dibeg.org/>